

## Series 300 LPLT Filter Press (API Filter Press)

### Description

The Series 300 LPLT Filter Press is the most effective means of determining filtration properties of drilling fluids and cement slurries. All LPLT Filter Press assemblies consist of these items:

- mud reservoir mounted in a frame
- pressure assembly and regulator
- filter paper
- 25 ml graduated cylinder



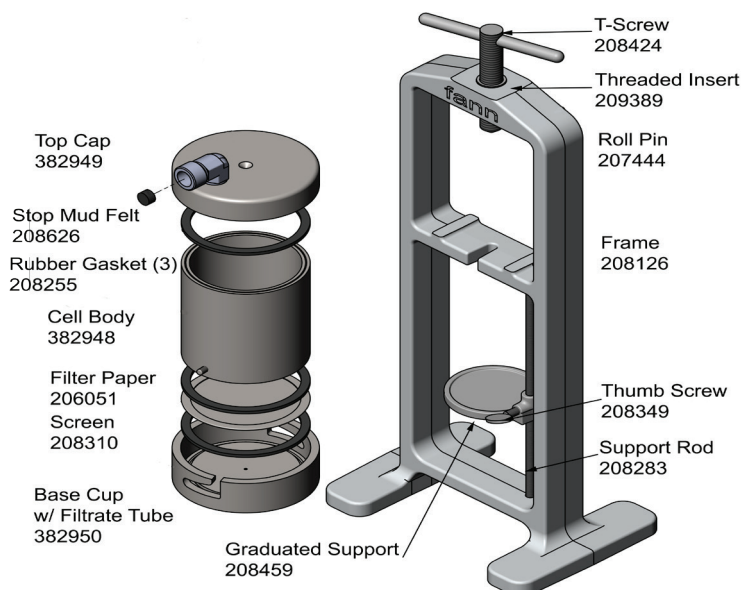
### Application

Measuring filtration behavior and wall-cake building characteristics of a mud is essential to drilling fluid control and treatment. The characteristics of filtrate, such as oil, water, or emulsion content are also important. The types and quantities of solids in the fluid and their physical and chemical interactions affect these characteristics. Temperature and pressure affect the physical and chemical interactions. Performing tests at both low pressure/low temperature and high pressure/high temperature is necessary, and these testing conditions require different equipment and techniques.

### Specifications

The basic filter press has a cell assembly constructed of stainless steel and includes the required screens and gaskets.

Working pressure is 100 psig and the filtering area is 7.1 in<sup>2</sup>, as specified in API Recommended Practice 13B-1 and 13B-2.



**Basic LPLT Filter Press Assembly**  
Part No. 207127

## Basic LPLT Filter Press Assembly

### Part No. 207127 Basic Filter Press Assembly includes:

- 382950 — Base Cap w/Tube, Stainless Steel
- 382949 — Top Cap, Stainless Steel
- 382948 — Cell Body, Stainless Steel
- 208255 — Rubber Gasket (6)
- 208310 — Screen, 60 Mesh
- 208626 — Stop Mud Felt
- 208129 — Frame Assembly
- 205868 — Graduated Cylinder, Glass, 25 ml
- 206051 — Filter Paper
- 102216847 — Loctite® Thread Sealant 545, 0.5 ml
- 101983293 — Fann Ruler

### Part No. 208129 Frame Assembly includes:

- 208126 — Bare Frame
- 209389 — Threaded Insert
- 207444 — Pin Roll, 3/32 x 3/8, Stainless Steel
- 208283 — Rod Support
- 208459 — Graduate Support
- 208349 — Thumb Screw, 1/4-20 x 3/4, Stainless Steel
- 208424 — T-Screw

### Items Not Included

- Part No. 208649 — Nitrogen Cylinder
- Part No. 208608 — CO<sub>2</sub> Cartridges, 10/Box



**Filter Press w/CO<sub>2</sub> Pressure Assembly**  
Part No. 207224

### **LPLT Filter Press Assemblies**

**Part No. 207173 Filter Press w/ Air Hose includes:**

- 207127 — Basic Filter Press
- 207929 — Air Hose, 3 ft
- 208653 — Bleeder Valve

**Part No. 207174 Filter Press w/ Regulator includes:**

- 207127 — Basic Filter Press
- 207929 — Air Hose, 3 ft
- 102177087 — Regulator Assembly

**Part No. 207223 Filter Press w/ Nitrogen Regulator includes:**

- 207127 — Basic Filter Press
- 207929 — Air Hose, 3 ft
- 208652 — Nitrogen Regulator
- 208653 — Bleeder Valve

**Part No. 207224 Filter Press w/ CO<sub>2</sub> Pressure Assembly includes:**

- 207127 — Basic Filter Press
- 208647 — CO<sub>2</sub> Pressure Assembly

**Part No. 207290 Dead-Weight Hydraulic Filter Press includes:**

- 207127 — Basic Filter Press
- 208594 — Dead-Weight Hydraulic Assembly

**Part No. 207503 Wall Mount Filter Press w/ CO<sub>2</sub> Pressure Assembly includes:**

- 205868 — Graduated Cylinder, 25 ml
- 206051 — Filter Paper, 100/Box
- 207391 — Wall Mount Filter Press
- 208647 — CO<sub>2</sub> Pressure Assembly



**Wall Mount Filter Press Assembly**  
Part No. 207503

**Multiple Unit Filter Press Assemblies**

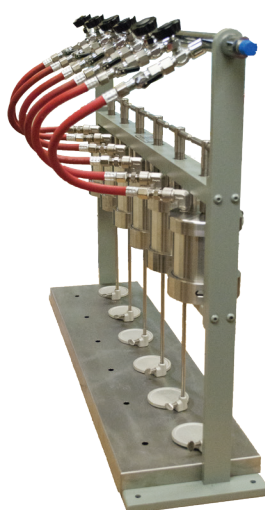
Multiple Unit Filter press assemblies permit simultaneous operation of one to six filtration tests. Each assembly consists of a frame with complete filter cells. Manifolds have air hoses, cut-off valves and bleeder valves. Accessories, such as pressure regulators and hoses connecting to pressurization sources, are sold separately.

**Part No. 207673 Six Unit Filter Press**

**Part No. 207785 Four Unit Filter Press**



**Four Unit Filter Press Assembly**  
Part No. 207785



**Six Unit Filter Press Assembly**  
Part No. 207673

*Fann Instrument Company offers a complete line of equipment, materials, and supplies for analyzing various drilling fluids and oil well cements in accordance with API Specifications and API Recommended Practices.*